

PERIMETER FRAME

3/8" X 2" FLAT BAR  
REMOVABLE CROSS  
SUPPORT

3/8" X 2 1/2" X 1 1/2"  
FLAT BAR SADDLE

**Detail 1**

PERIMETER FRAME  
TWO PIECES

BUTT JOINT

3/8" X 2" X 2"  
BOLTING TABS  
WITH BOLT  
CONNECTION

**Detail 2**

3/8" X 2" X 2" BOLTING TAB  
(BOLT ATTACHMENT ON ONE END,  
WELD ATTACHMENT ON OTHER.)

3/8" X 2" FLAT BAR

**Detail 3**

ANGLE STOCK  
PERIMETER FRAME

#3 REBAR EMBEDMENT ANCHOR,  
EQUAL SPACING  
NOT TO EXCEED 18" O.C. TYP.

**Isometric**

### SPECIFICATIONS

- Frames are constructed of mild steel ASTM A36 (unless specified otherwise; see below).

**Material:**

- Mild Steel ASTM A36 (standard)
- Stainless Steel grade 304L
- Architectural Bronze, ASTM B455
- Structural Aluminum, ASTM B221

- Finish will be natural patina of raw steel (unless specified otherwise; see below).

**Finish:**

- Raw (standard)
- Polyester Powder Coat\*
- Liquid Coat (wet paint)\*  
Color:  
\*Please specify standard UA color or mfr. name and color code.
- Galvanized
- Other:

- Frame is load rated for pedestrian traffic only (unless specified otherwise; see below).

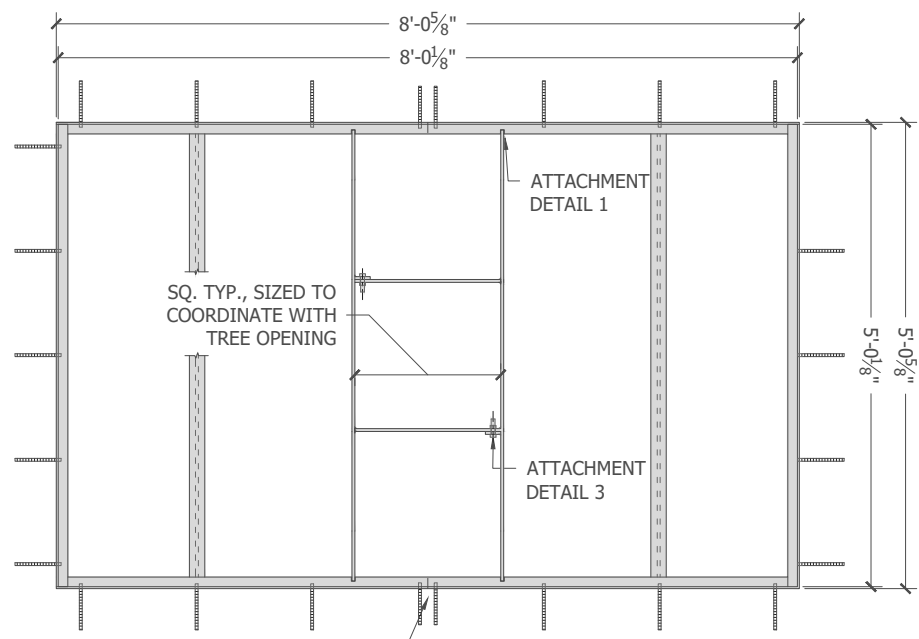
**Load Classifications:**

- Pedestrian (standard)
- Light Vehicular
- H20/HS20  
(Additional steel support may be added for optional load classes. Please contact UA for revised cut sheet, as necessary.)

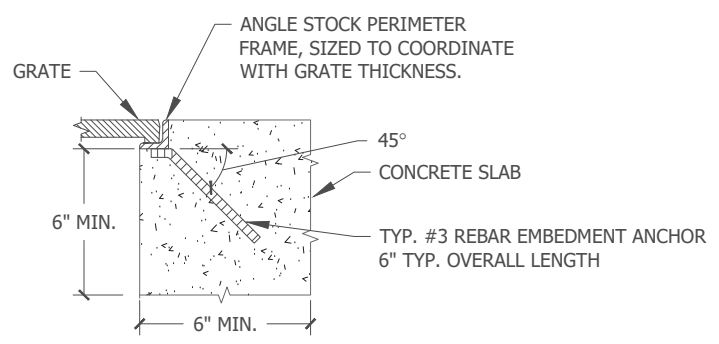
- Typical 1/8" horizontal gap between grate and frame. All visible welds to be ground smooth on outside edges. Frames will be true to square or diameter. Top of grate flush with grade of surrounding topping material (paver, concrete slab, etc.).

**- Dimensions are nominal.**

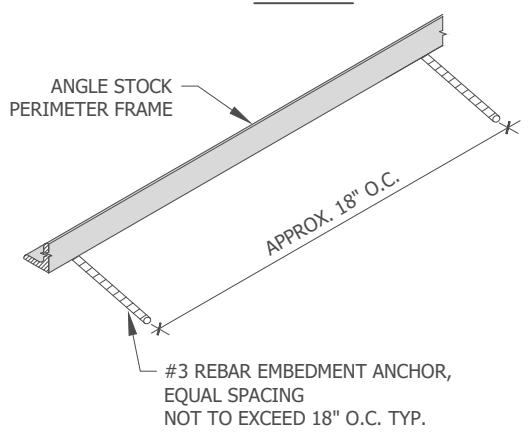
Comments:



**Plan**



**Elevation**



## Tree Grate Frame

### 5' x 8' Type "S" Pedestrian Duty

Page: 1 of 1 Date: 2/1/18



465 E. FIFTEENTH ST. sales@urbanaccessories.com  
TACOMA, WA 98421 www.urbanaccessories.com  
(877) 487-0488