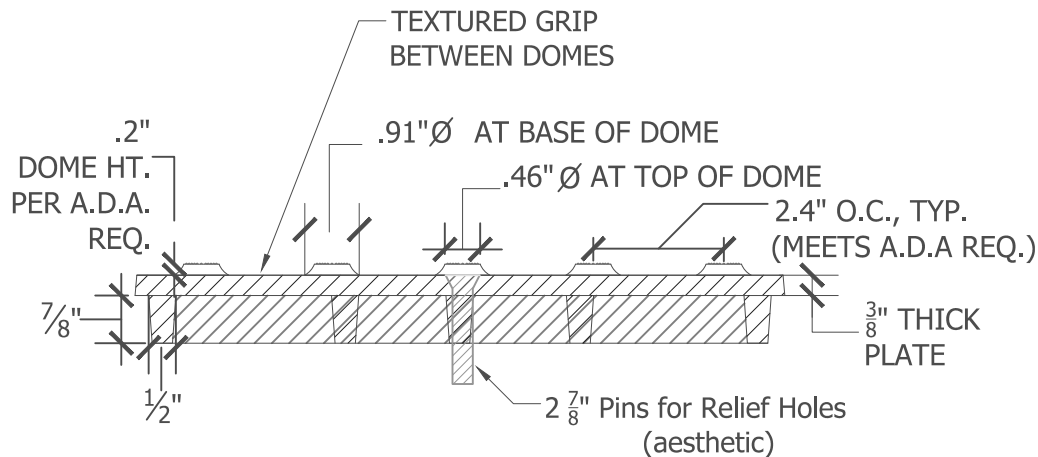


**Plan**



**Section A-A'**

**SPECIFICATIONS**

- Material will be high quality 100% recycled grey iron; ASTM A48 class 35b or better; hardness 170-223 brinnell (unless specified otherwise; see below).

**Material:**

- Grey iron ASTM A48 (standard)
- Aluminum, ASTM B26
- Ductile iron, (required for all load ratings higher than pedestrian) ASTM A536 class 65-45-12.
- Nickel bronze (ASTM B30)
- Bronze (ASTM B26)

- Finish will be natural patina of raw iron (unless specified otherwise; see below).

**Finish:**

- Raw (standard)
  - Rust conditioner
  - Polyester Powder Coat\*
  - Liquid Coat (wet paint)\*
- Color:
- \*Please specify standard UA color or mfr. name and color code.
  - Brush (bronze/nickel/aluminum only)
  - Galvanized (grey iron and ductile)

**Bolts:**

- Stainless Steel
- Raw Steel

**- Dimensions are nominal.**

Notes

- 1) Panel is 1 1/4" OAH and 3/8" thick at edge.
- 2) Custom radial configuration can apply, please inquire with your sales representative for pricing and availability.
- 3) All panels come with an optional bolt down.

The ADA and ABA have explicit guidelines that refer to many issues concerning 'Truncated Dome Panels.'

Truncated Dome Panels by Urban Accessories help you meet ADA and ABA requirements, as well as CBC guidelines.

We recommend that specifiers review predominant national, state, and local guidelines to guarantee total compliance.

Comments:

**Truncated Dome Panel**

12" SQ. Panel

Page 1 of 1 Date: 01/10/18



465 E. FIFTEENTH ST. sales@urbanaccessories.com  
TACOMA, WA 98421 www.urbanaccessories.com  
(877) 487-0488