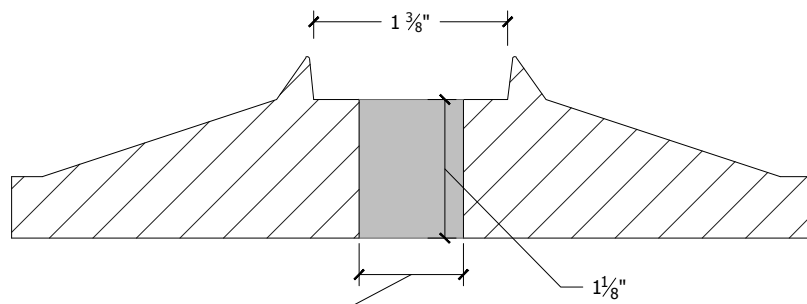


Plan



7/8" DIA. CENTER HOLE

1/8"

Section A-A'

SPECIFICATIONS

- Material will be high quality 100% recycled grey iron; ASTM A48 class 35b or better; hardness 170-223 brinnell (unless specified otherwise; see below).

Material:

- Grey iron ASTM A48 (standard)
- Aluminum, ASTM B26
- Ductile iron, (required for all load ratings higher than pedestrian) ASTM A536 class 65-45-12.
- Nickel bronze (ASTM B30)
- Bronze (ASTM B26)

- Finish will be natural patina of raw iron (unless specified otherwise; see below).

Finish:

- Raw (standard)
 - Rust conditioner
 - Polyester Powder Coat*
 - Liquid Coat (wet paint)*
- Color:
- *Please specify standard UA color or mfr. name and color code.
 - Brush (bronze/nickel/aluminum only)
 - Polish (bronze/nickel/aluminum only)
 - Galvanized (grey iron and ductile iron only)
 - Other:

- Dimensions are nominal.

Notes

- 1) Button is 1 1/8" thick at center.
- 2) Button weighs 8.5 lbs.

Comments:

Building Button

6 1/2" 'G' Style

Page 1 of 1 Date: 4/16/12



465 E. FIFTEENTH ST. sales@urbanaccessories.com
TACOMA, WA 98421 www.urbanaccessories.com
(877) 487-0488