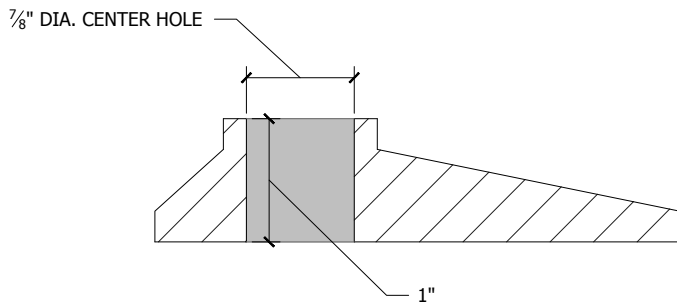


**Plan**



**Section A-A'**

**SPECIFICATIONS**

- Material will be high quality 100% recycled grey iron; ASTM A48 class 35b or better; hardness 170-223 brinnell (unless specified otherwise; see below).

**Material:**

- Grey iron ASTM A48 (standard)
- Aluminum, ASTM B26
- Ductile iron, (required for all load ratings higher than pedestrian) ASTM A536 class 65-45-12.
- Nickel bronze (ASTM B30)
- Bronze (ASTM B26)

- Finish will be natural patina of raw iron (unless specified otherwise; see below).

**Finish:**

- Raw (standard)
  - Rust conditioner
  - Polyester Powder Coat\*
  - Liquid Coat (wet paint)\*
- Color:
- \*Please specify standard UA color or mfr. name and color code.
  - Brush (bronze/nickel/aluminum only)
  - Polish (bronze/nickel/aluminum only)
  - Galvanized (grey iron and ductile iron only)
  - Other:

- **Dimensions are nominal.**

Notes

- 1) Button is 1" thick at center.
- 2) Button weighs 1 lb.

Comments:

**Building Button**

6" 'H' Style

Page 1 of 1 Date: 4/16/12



465 E. FIFTEENTH ST. sales@urbanaccessories.com  
 TACOMA, WA 98421 www.urbanaccessories.com  
 (877) 487-0488