

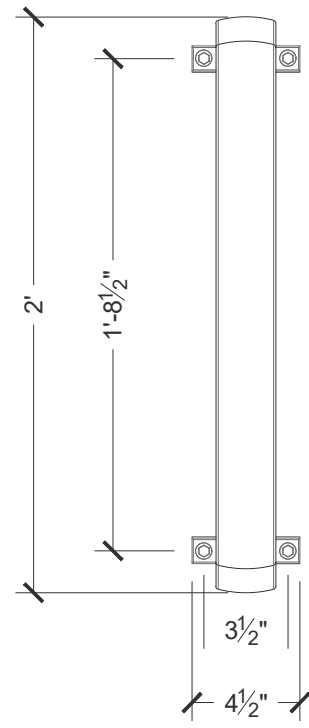
# Specifications

- Material will be high quality 100% grey iron, ASTM A48 class 35b or better, hardness 170-223 brinell (unless specified otherwise; see below).
- Finish will be natural patina of raw material (unless specified otherwise; see below).
- For cases of "or equal" consideration, our finished, full size product should be compared with the alternative product for general quality, surface finish, precise pattern work, metal characteristics, and overall design aesthetics.
- **Dimensions are nominal.**

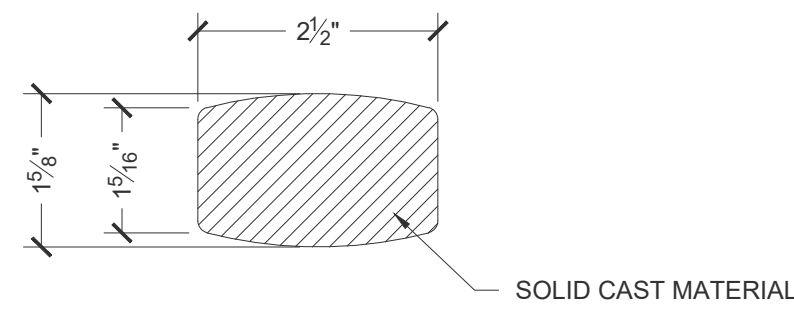
- Material:**
- Grey iron, ASTM A48 (standard)
  - Ductile iron, (required for all load ratings higher than pedestrian)
  - Aluminium, ASTM B26
  - Nickel Bronze, ASTM B584
  - Bronze, ASTM B584

- Finish:**
- Raw (standard)
  - Rust Conditioner
  - Polyester powdercoat (Specify color below)
  - Liquid coat (Specify color below)
  - Brush
  - Polish
  - Galvanized
  - Other: \_\_\_\_\_

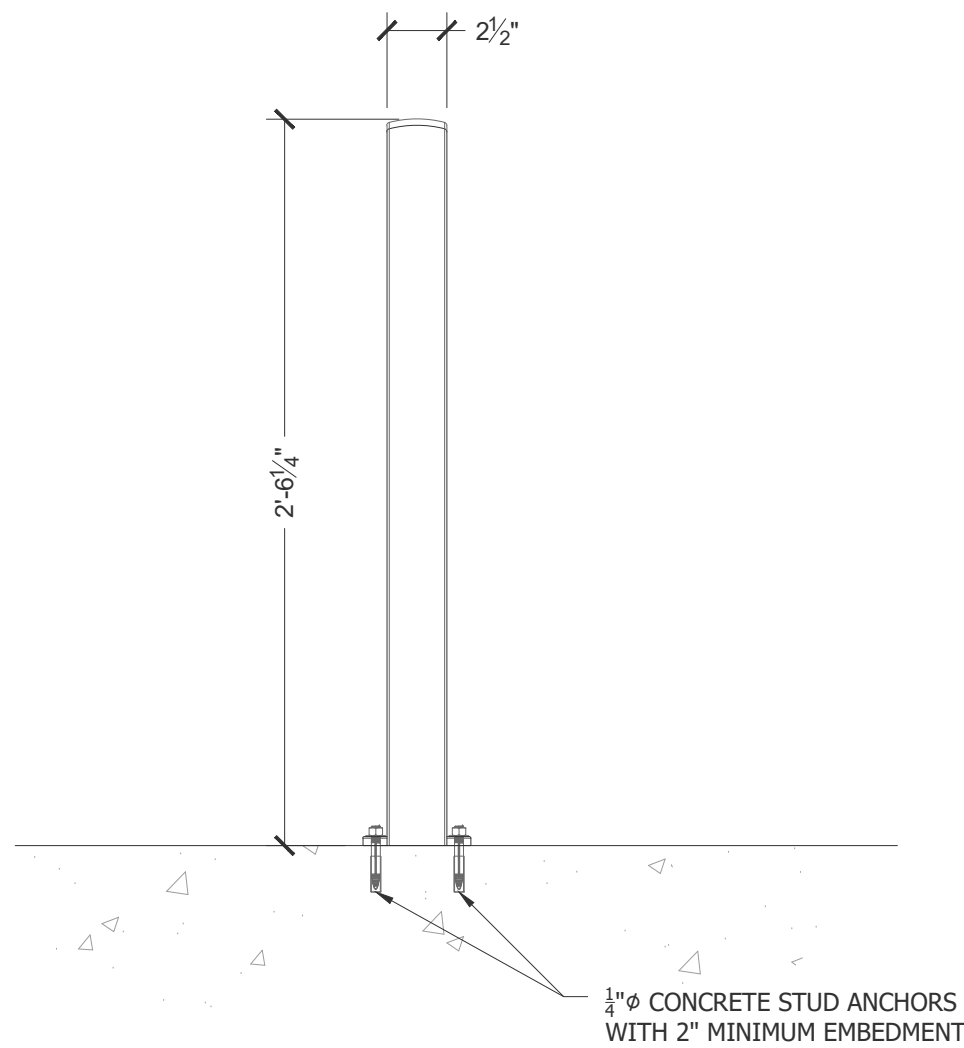
- Additional Notes**
- Cast in 1 piece.
  - Weighs 28lbs in aluminum.



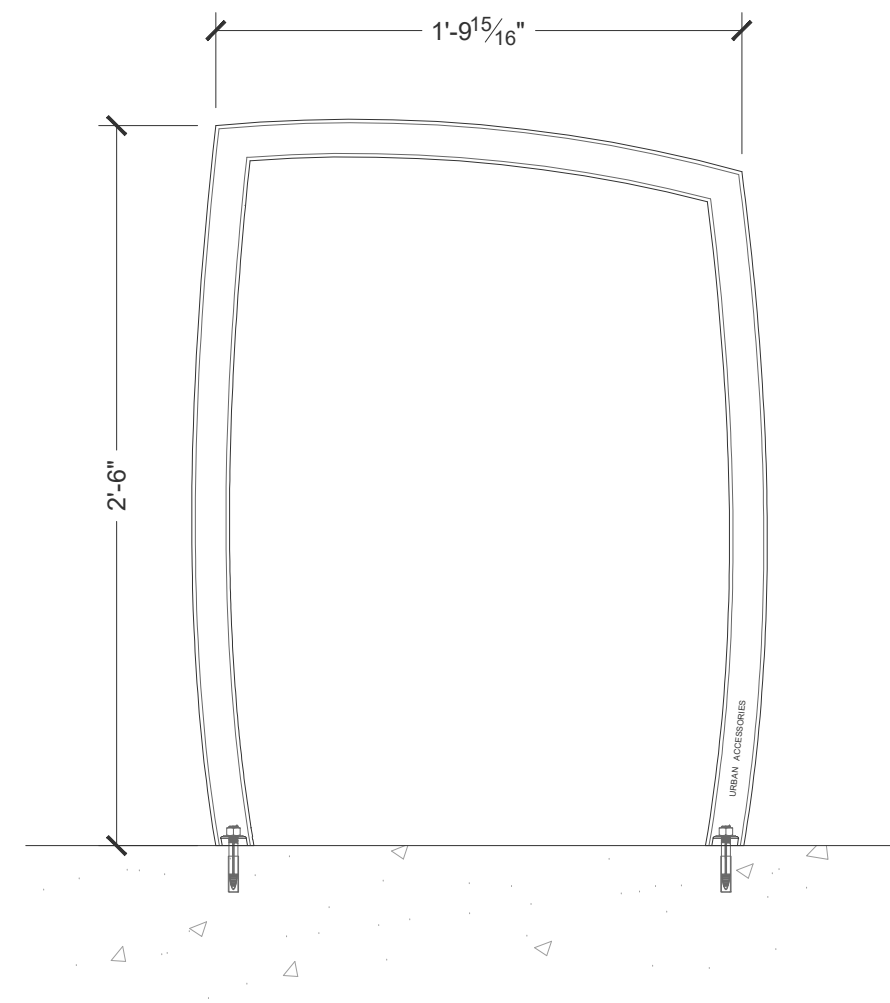
**Plan**  
Scale: 1 1/2" = 1' 0"



**Typical Cross Section**  
Scale: 6" = 1' 0"



**Front**  
Scale: 1 1/2" = 1' 0"



**Left**  
Scale: 1 1/2" = 1' 0"

This print is the property of Urban Accessories, Inc. and is loaned to the recipient subject to be returned on demand. All contents herein are confidential and must not be copied or submitted to outside parties for examination without the express written consent of Urban Accessories, Inc.

If you received these documents in mistake please contact [sales@urbanaccessories.com](mailto:sales@urbanaccessories.com).

**URBAN ACCESSORIES**  
ARCHITECTURAL FOUNDRY - EST. 1972  
[urbanaccessories.com](http://urbanaccessories.com) - 1.877.487.0488  
465 E. Fifteenth St., Tacoma, WA 98421

**Bike Post**  
Curves  
Surface Mounted