

Specifications

- Material will be high quality 100% grey iron, ASTM A48 class 35b or better, hardness 170-223 brinell (unless specified otherwise; see below).

- Finish will be natural patina of raw material (unless specified otherwise; see below).

- For cases of "or equal" consideration, our finished, full size product should be compared with the alternative product for general quality, surface finish, precise pattern work, metal characteristics, and overall design aesthetics.

- Dimensions are nominal.

Material:

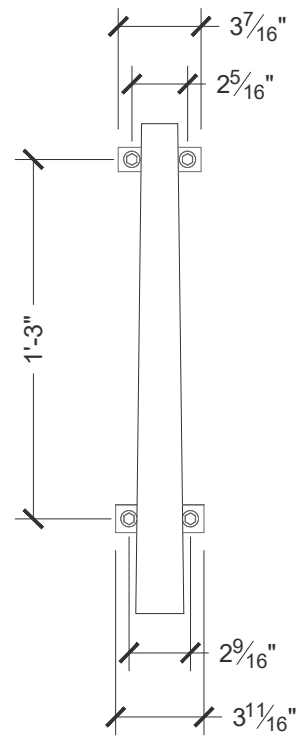
- Grey iron, ASTM A48 (standard)
- Ductile iron, (required for all load ratings higher than pedestrian)
ASTM A536 class 65-45-12
- Aluminium, ASTM B26
- Nickel Bronze, ASTM B584
- Bronze, ASTM B584

Finish:

- Raw (standard)
- Rust Conditioner
- Polyester powdercoat (Specify color below)
- Liquid coat (Specify color below)
- Brush
- Polish
- Galvanized
- Other: _____

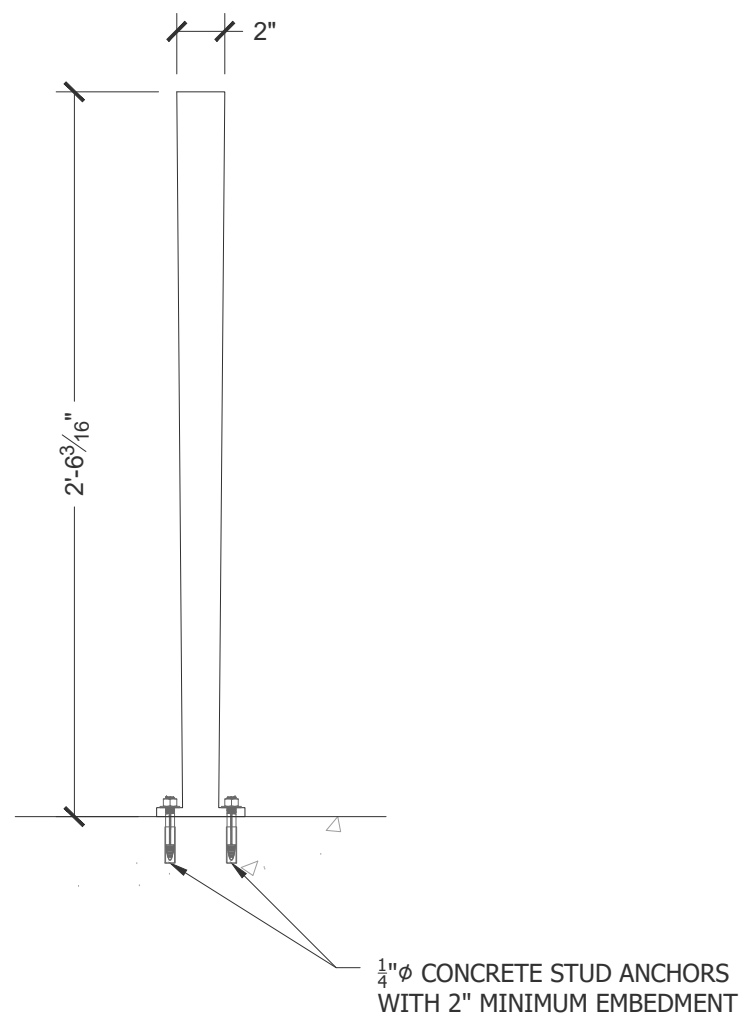
Additional Notes

- Cast in 1 piece.
- Weighs 22lbs in aluminum.



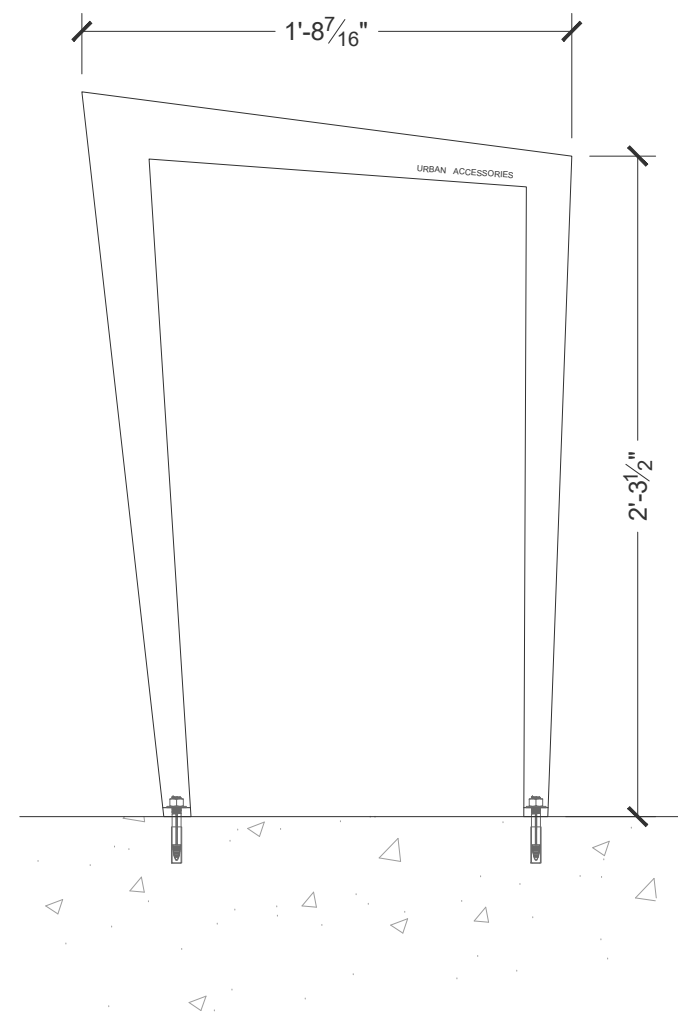
Plan

Scale: 1 1/2" = 1' 0"



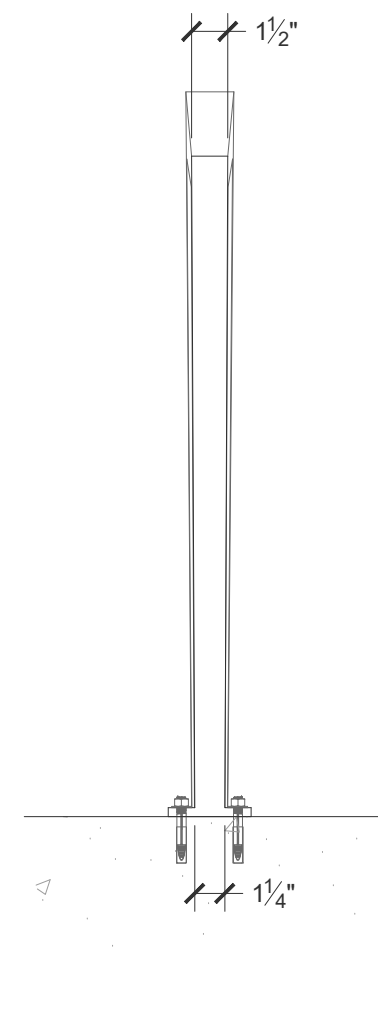
Front

Scale: 1 1/2" = 1' 0"



Side

Scale: 1 1/2" = 1' 0"



Back

Scale: 1 1/2" = 1' 0"

This print is the property of Urban Accessories, Inc. and is loaned to the recipient subject to be returned on demand. All contents herein are confidential and must not be copied or submitted to outside parties for examination without the express written consent of Urban Accessories, Inc.

If you received these documents in mistake please contact sales@urbanaccessories.com.



ARCHITECTURAL FOUNDRY - EST. 1972
 urbanaccessories.com - 1.877.487.0488
 465 E. Fifteenth St., Tacoma, WA 98421

Bike Post

Lift
Surface Mounted