

Specifications

- Cast components will be of 100% aluminum; ASTM B26 (unless specified otherwise; see below)
- Castings will be squared and flat, free of burrs, slag, air pockets, blow holes, flashing, and grinding or welding on exposed surfaces. Excessive warping or shrinkage is not acceptable.
- Fabricated components will be structural aluminum, 6061. (unless specified otherwise; see below)
- All visible welds to be ground smooth on outside edges.
- Fabrication will be true and square, or diameter and sized within 1/8".
- Finish will be raw aluminum (unless specified otherwise, see below)
- Dimensions are nominal.
- For cases of "or equal" consideration, our finished, full size product should be compared with the alternative product for general quality, surface finish, precise pattern work, metal characteristics, and overall design aesthetics.

Material

- Structural Aluminum, 6061 T6 (Standard)
- Steel, ASTM A36
- Stainless Steel, 304L
- Stainless Steel (Bronze Joints) 304L

Finish

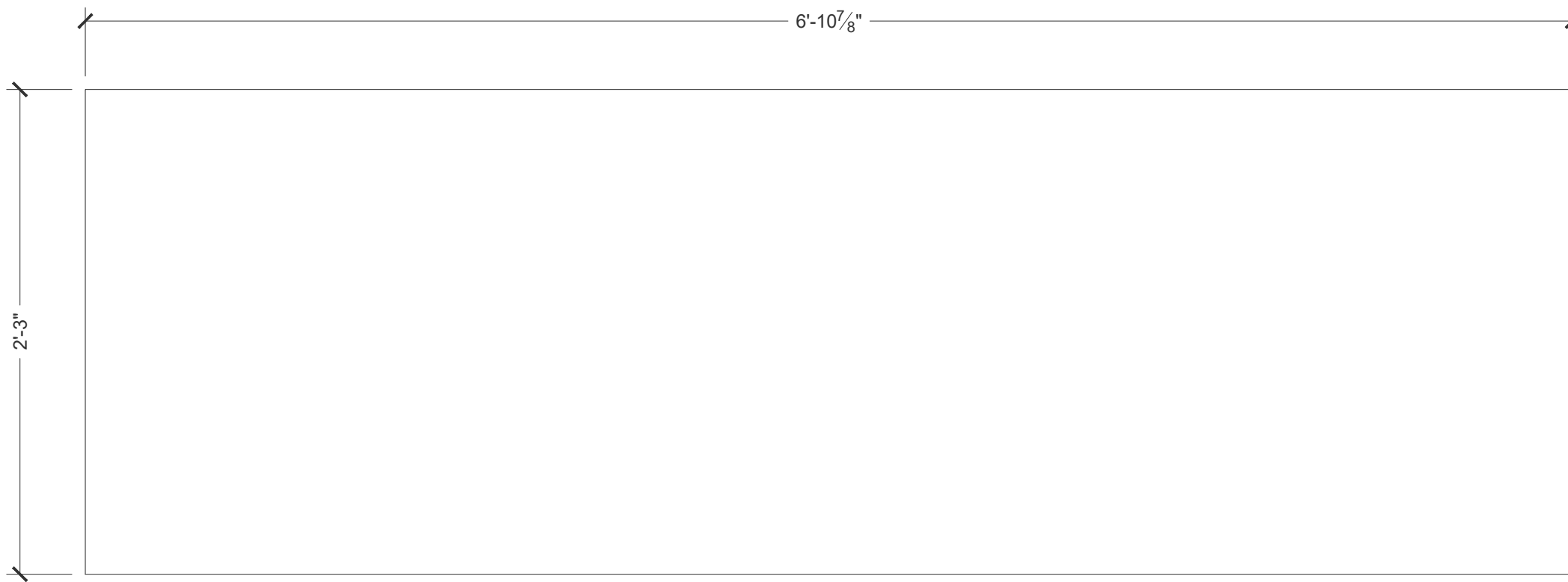
- Raw (standard)
- Polyester powdercoat
- Liquid coat
- Brush
- Polish
- Galvanized (steel only)
- Other: _____

Additional Notes

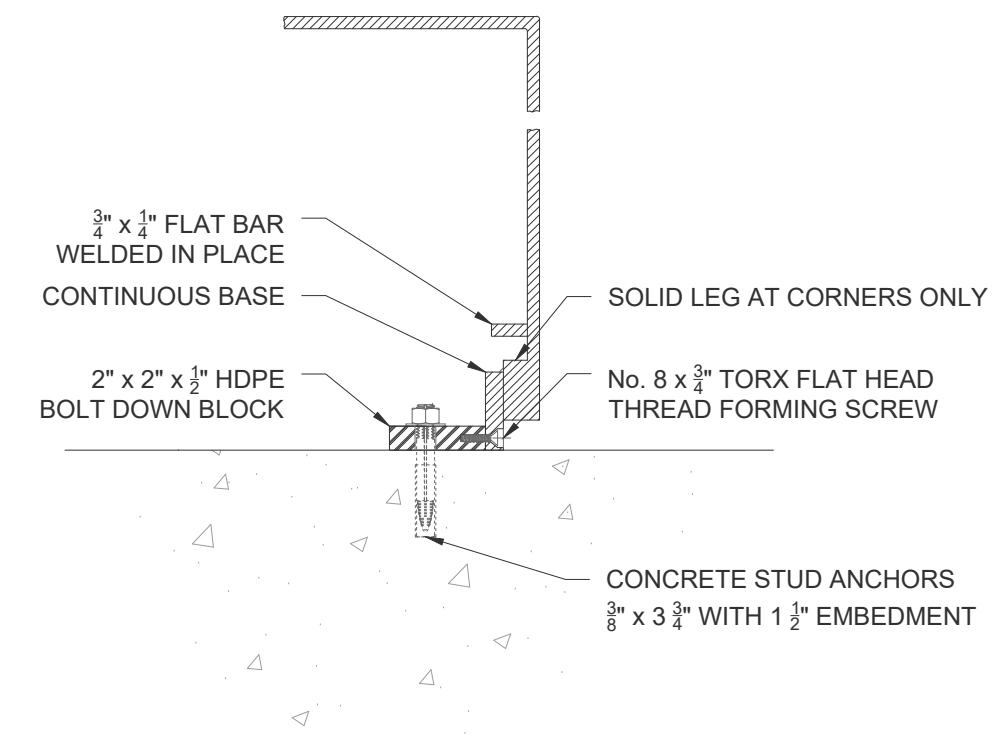
- Bench weighs 150lbs in aluminum

This print is the property of Urban Accessories, Inc. and is loaned to the recipient subject to be returned on demand. All contents herein are confidential and must not be copied or submitted to outside parties for examination without the express written consent of Urban Accessories, Inc.

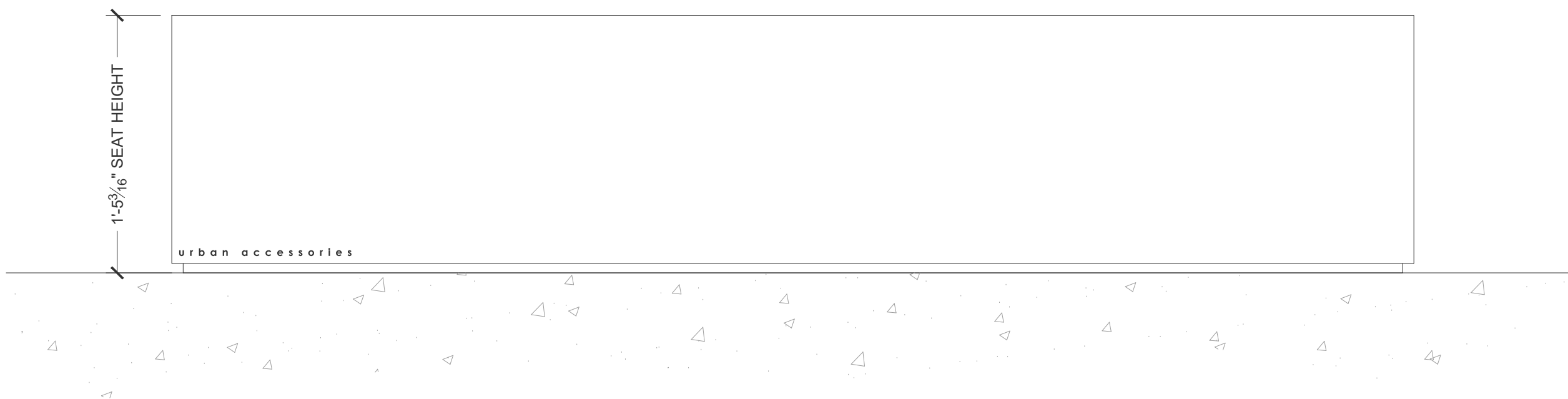
If you received these documents in mistake please contact sales@urbanaccessories.com.



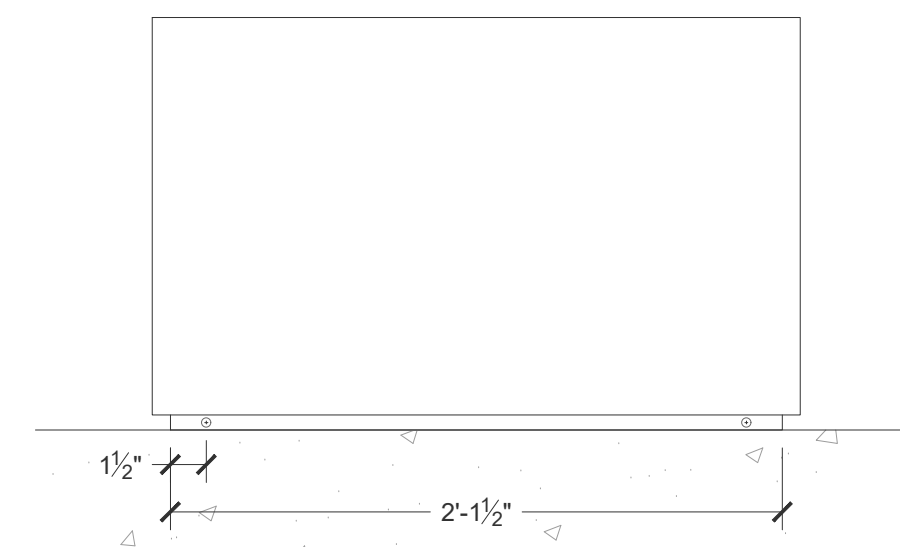
Plan
Scale: 1 1/2" = 1' 0"



Typical Section
Scale: 3" = 1' 0"



Front
Scale: 1 1/2" = 1' 0"



Side
Scale: 1 1/2" = 1' 0"



ARCHITECTURAL FOUNDRY - EST. 1972
urbanaccessories.com - 1.877.487.0488
 465 E. Fifteenth St., Tacoma, WA 98421

Surface Mount Bench

Hover - 7ft