

Specifications

- Cast components will be of 100% recycled grey iron ; ASTM A48 class 35b or better; hardness 170-223 brinnell (unless specified otherwise; see below)
- Castings will be squared and flat, free of burrs, slag, air pockets, blow holes, flashing, and grinding or welding on exposed surfaces. Excessive warping or shrinkage is not acceptable.
- Fabricated components will be mild carbon steel, ASTM A36. (unless specified otherwise; see below)
- All visible welds to be ground smooth on outside edges.
- Fabrication will be true and square, or diameter and sized within 1/8".
- Finish will be natural patina of raw iron (unless specified otherwise).
- Dimensions are nominal.
- For cases of "or equal" consideration, our finished, full size product should be compared with the alternative product for general quality, surface finish, precise pattern work, metal characteristics, and overall design aesthetics.

- Material**
- Mild Steel, ASTM A36 (standard)
 - Stainless Steel, 304L
 - Architectural Bronze
 - Structural Aluminum, 6061 T6

- Finish**
- Raw (standard)
 - Polyester powdercoat
 - Liquid coat
 - Brush
 - Polish
 - Galvanized (steel only)
 - Other: _____

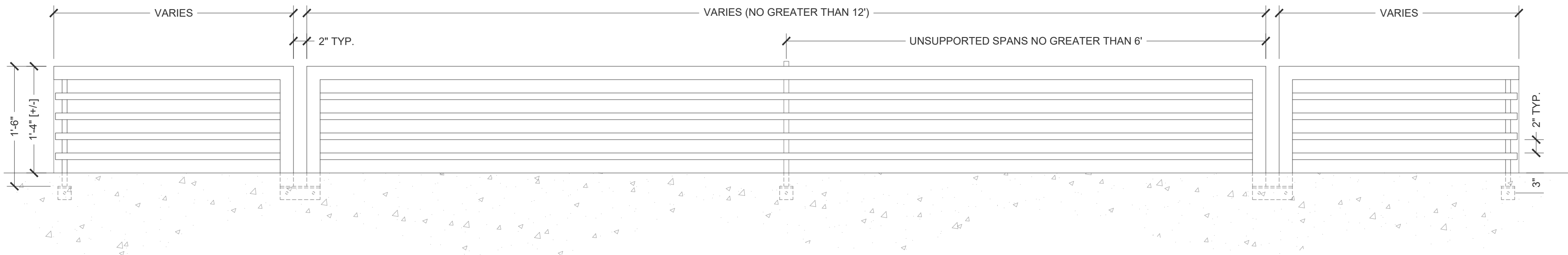
Additional Notes

This print is the property of Urban Accessories, Inc. and is loaned to the recipient subject to be returned on demand. All contents herein are confidential and must not be copied or submitted to outside parties for examination without the express written consent of Urban Accessories, Inc.

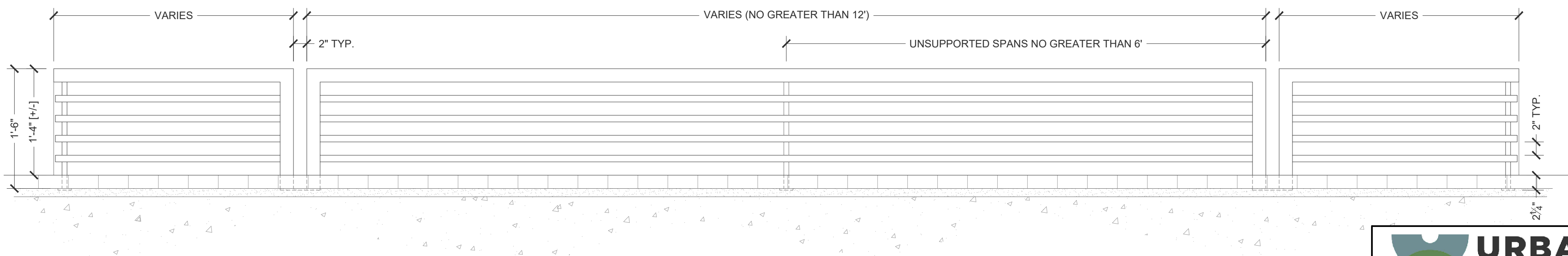
If you received these documents in mistake please contact sales@urbanaccessories.com.



Typical Elevation - Side Mount (Sidewalk)
Scale: 1" = 1' 0"



Typical Elevation - Side Mount (Sidewalk)
Scale: 1" = 1' 0"



Typical Elevation - Top Mount (Paver)
Scale: 1" = 1' 0"

URBAN ACCESSORIES
ARCHITECTURAL FOUNDRY - EST. 1972
urbanaccessories.com - 1.877.487.0488
465 E. Fifteenth St., Tacoma, WA 98421

Planter Fencing

NR2 - 5 Bar

Specifications

- Cast components will be of 100% recycled grey iron ; ASTM A48 class 35b or better; hardness 170-223 brinnell (unless specified otherwise; see below)
- Castings will be squared and flat, free of burrs, slag, air pockets, blow holes, flashing, and grinding or welding on exposed surfaces. Excessive warping or shrinkage is not acceptable.
- Fabricated components will be mild carbon steel, ASTM A36. (unless specified otherwise; see below)
- All visible welds to be ground smooth on outside edges.
- Fabrication will be true and square, or diameter and sized within 1/8".
- Finish will be natural patina of raw iron (unless specified otherwise).
- Dimensions are nominal.
- For cases of "or equal" consideration, our finished, full size product should be compared with the alternative product for general quality, surface finish, precise pattern work, metal characteristics, and overall design aesthetics.

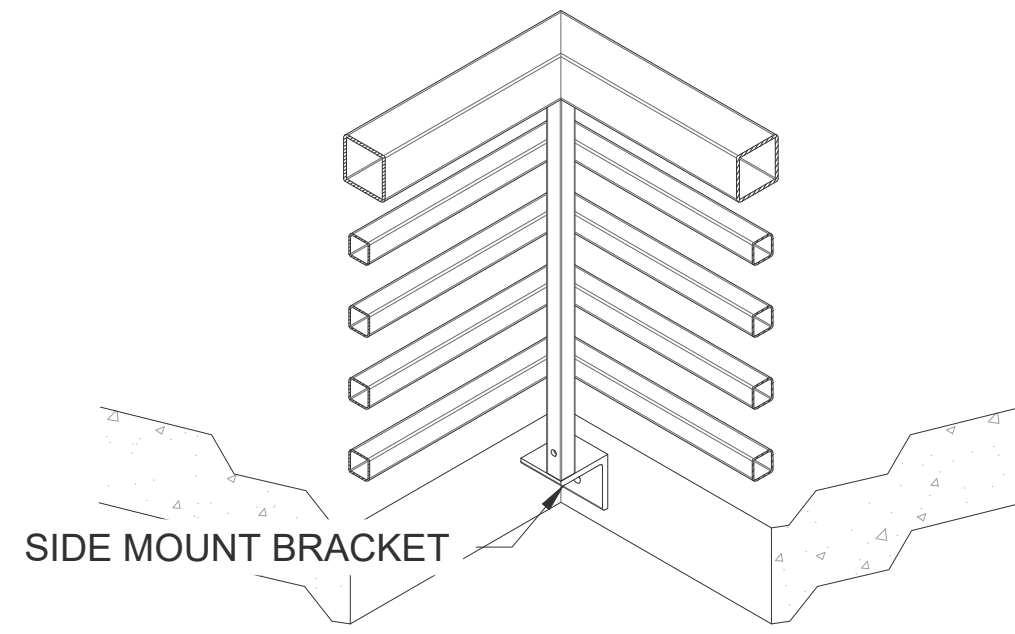
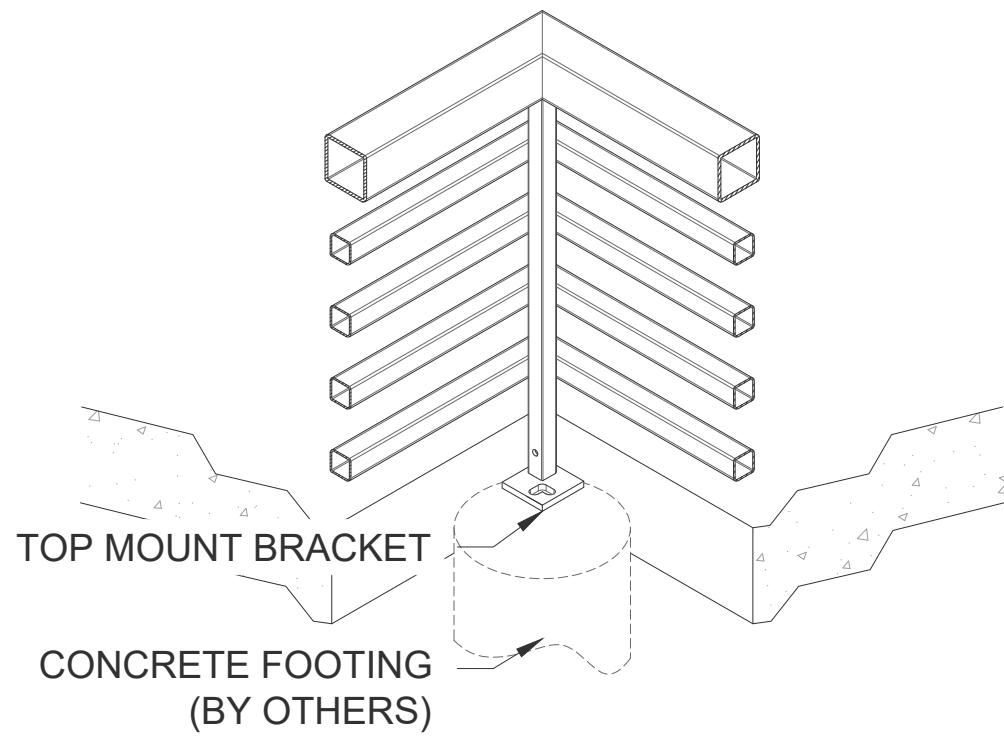
- Material**
- Mild Steel, ASTM A36 (standard)
 - Stainless Steel, 304L
 - Architectural Bronze
 - Structural Aluminum, 6061 T6

- Finish**
- Raw (standard)
 - Polyester powdercoat
 - Liquid coat
 - Brush
 - Polish
 - Galvanized (steel only)
 - Other: _____

Additional Notes

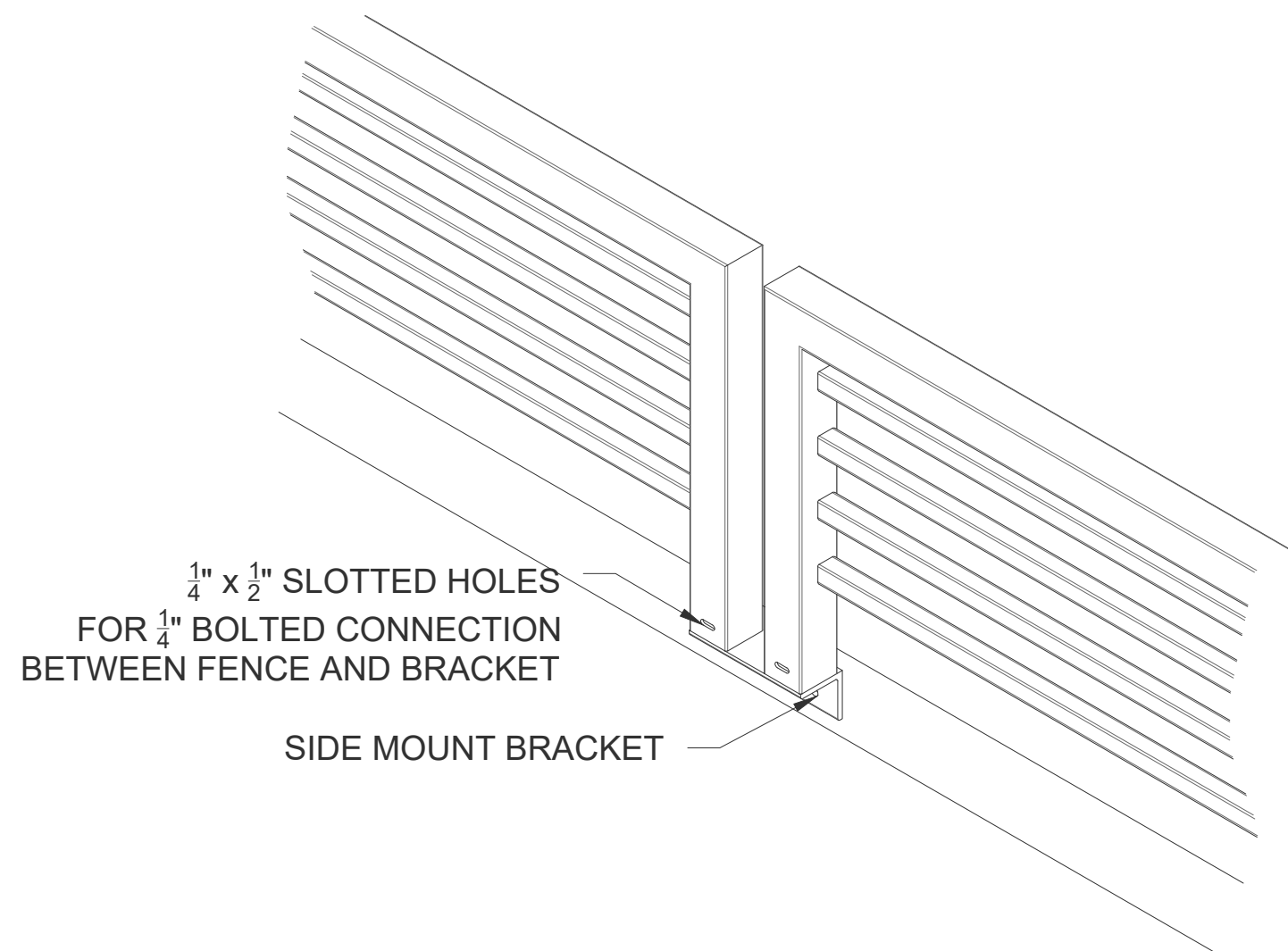
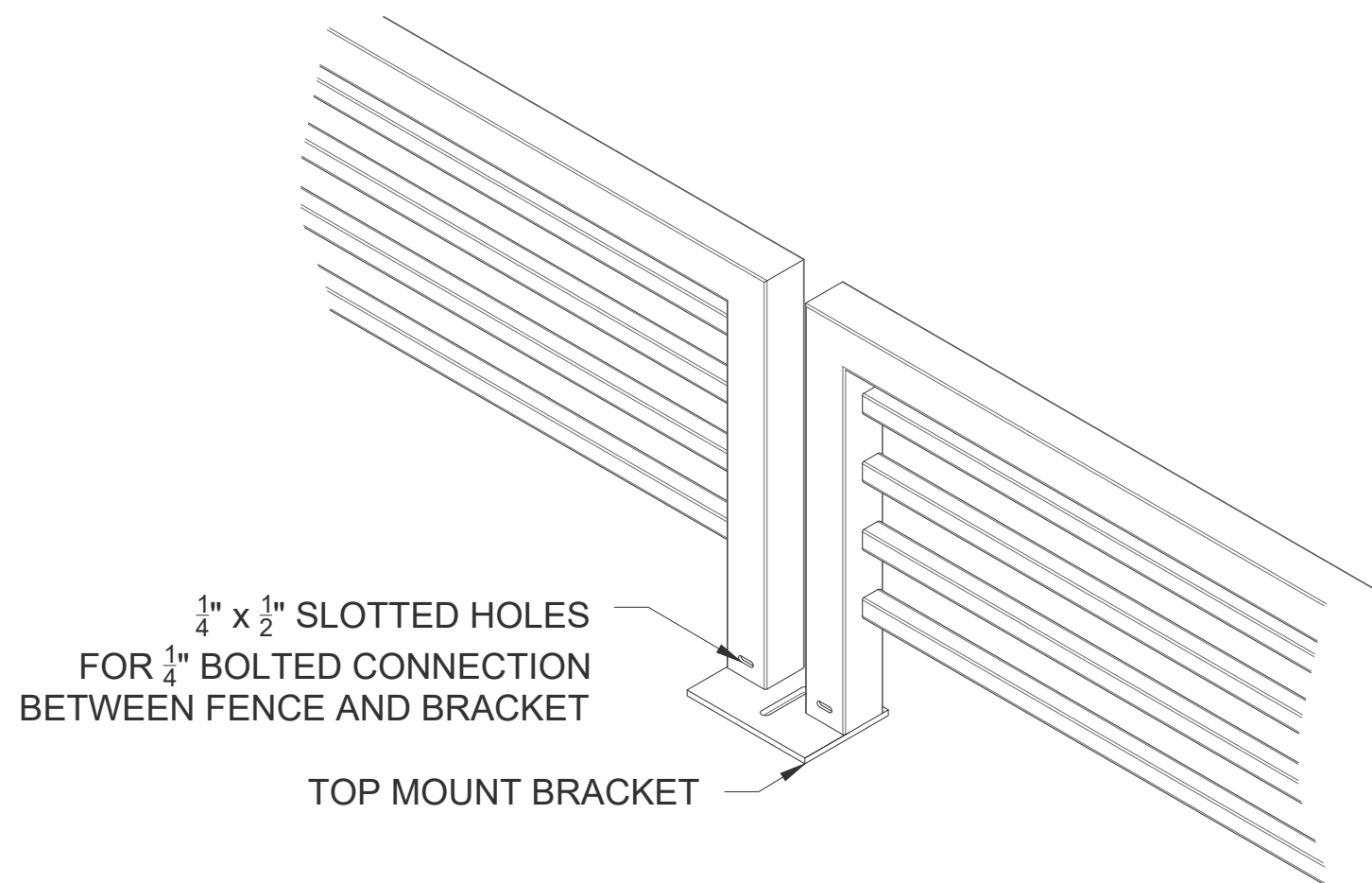
This print is the property of Urban Accessories, Inc. and is loaned to the recipient subject to be returned on demand. All contents herein are confidential and must not be copied or submitted to outside parties for examination without the express written consent of Urban Accessories, Inc.

If you received these documents in mistake please contact sales@urbanaccessories.com.



Corner Connection Detail - Top Mount
Scale: 1 1/2" = 1' 0"

Corner Connection Detail - Side Mount
Scale: 1 1/2" = 1' 0"



Primary Connection Detail - Top Mount
Scale: 1 1/2" = 1' 0"

Primary Connection Detail - Side Mount
Scale: 1 1/2" = 1' 0"

URBAN ACCESSORIES
ARCHITECTURAL FOUNDRY - EST. 1972
urbanaccessories.com - 1.877.487.0488
465 E. Fifteenth St., Tacoma, WA 98421

Planter Fencing
NR2 - 5 Bar